

White Boards

DRY ERASE GRAPHIC INSERT

FEATURES

- ▶ 2nd Side Printing Option for Additional Layouts and Multi-Lingual for Diverse Patient Communication
- ▶ Quick Change Custom Layout(s) for Transition of Care
- ▶ Economically Update Components as Needed

SPECS

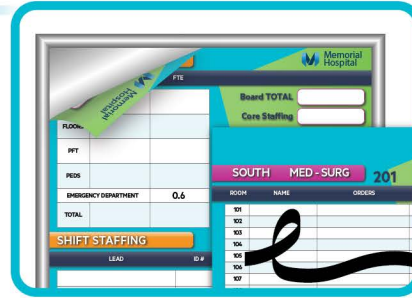
Board Size Max	48"H x 96"W
Board Size Min	8"W x 11"H
Board Finish	Silver or Black
Edge Widths Available	1", 1.25", or 1.75"
Board Orientation	Horizontal or Vertical
Edge Open Wall Space	2" Each Side

MATERIALS

- ▶ METAL BOARD EDGE That Opens for Quick Change Layouts
- ▶ DRY ERASE GRAPHIC INSERT, Lightweight, Durable Plastic with Rewritable Surface

OPTIONAL UPGRADES

- ▶ Mobile Upgrade - Wheeled Accessory Stand to Mount Your Custom Whiteboard for Rolling Feature
- ▶ Dry Erase Graphic Insert - Combine Your Lens and Graphic for Fewer Pieces
- ▶ Board Style Upgrades - Your Custom Layout(s) in Any Board Style Including Plexi, Glass, Decal, Magnetic, Safety, and Digital



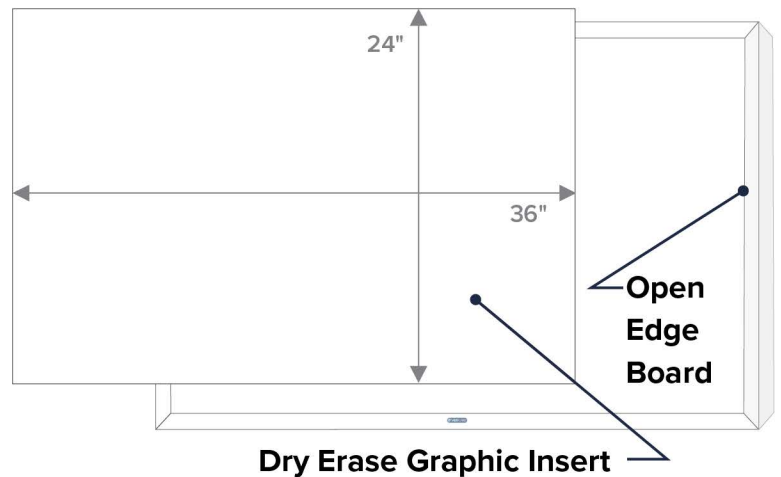
STANDARD SIZES (Horizontal & Vertical)

*Most Popular Sizes

8.5" x 11"	24" x 30" *
11" x 14"	24" x 36" *
11" x 17"	28" x 35"
12" x 18"	30" x 40" *
16" x 20"	32" x 40"
17" x 22"	36" x 36"
18" x 24"	36" x 48"
20" x 24"	48" x 48"
22" x 28"	48" x 96"

Custom Boards Sizes Upon Request

Example Diagram



281.465.0040
orders@VISICARE.com
VISICARE.com

